

Aluron Systems

Innovative combined solutions with refined details



SLENDER PROFILES

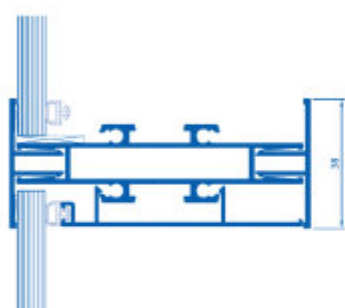
The **ACS 50** system has been developed for the construction of aesthetically pleasing minimalist interior enclosures. In this system, we have partition walls with mullions as well as column-free solutions, including the option of central glazing. This system includes frames for the installation of all-glass sashes. The great advantages of **ACS 50** are the various mullion variants, the freedom of angular connections, the stability of the built-up area and the high acoustic properties.



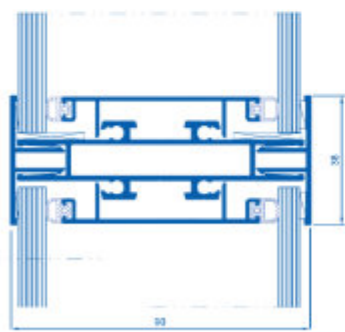
AESTHETICS

Among the partitioning systems, special attention should be given to **ACS 38**, which is not only compatible with **ACS 50**, but also allows us to create very aesthetically pleasing industrial surfaces thanks to the maximum glass surface with a minimal number of visible mullions. Despite an installation width of only 38 mm - the system is rated as III strength class

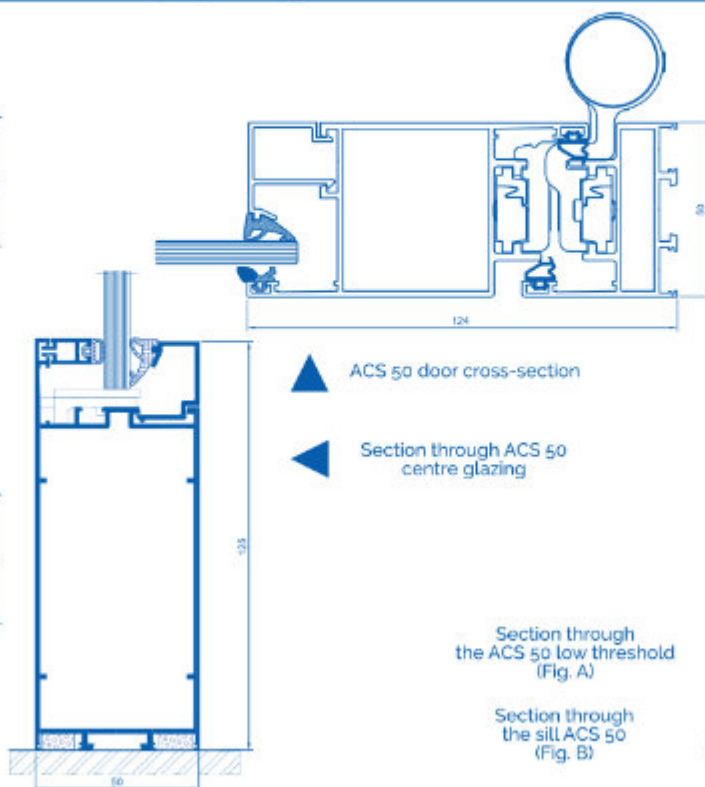
CROSS-SECTIONS THROUGH ACS 38 | ACS 50



Section through ACS 38 single glazing



Section through ACS 38 double glazing

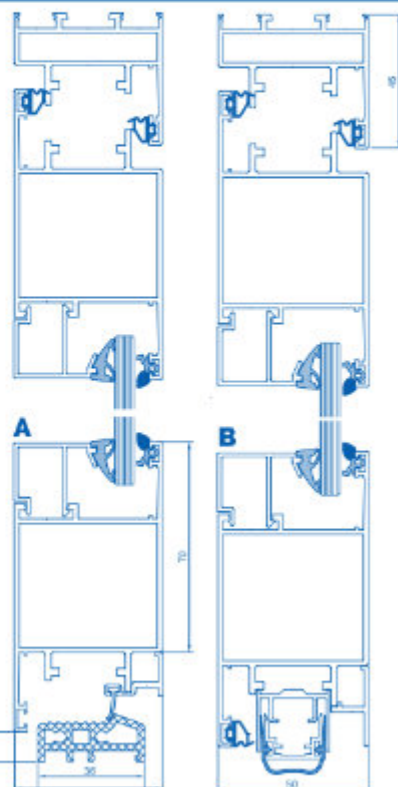


▲ ACS 50 door cross-section

▼ Section through ACS 50 centre glazing

Section through the ACS 50 low threshold (Fig. A)

Section through the sill ACS 50 (Fig. B)



Window system: AS 75

INNOVATIVE SOLUTIONS

The Aluron **AS 75** window and door system is distinguished by its durable construction and innovative technical and visual solutions. Aluminium from which it is built guarantees reliability and solidity for many years of use. The innovative **ANTI-BI-METAL** technology used in AS 75 eliminates the possibility of deformation of door and window sashes caused by high or low temperatures. For those seeking distinctive solutions, the **AS 75 INDUSTRIAL** variant is available, designed for industrial spaces and characterised by a special design. It is complemented by a system of flat or spatial glazing bars. In the Aluron AS 75 system it is possible to make arched constructions (including welded) and all-glass corners.

THERMAL INSULATION

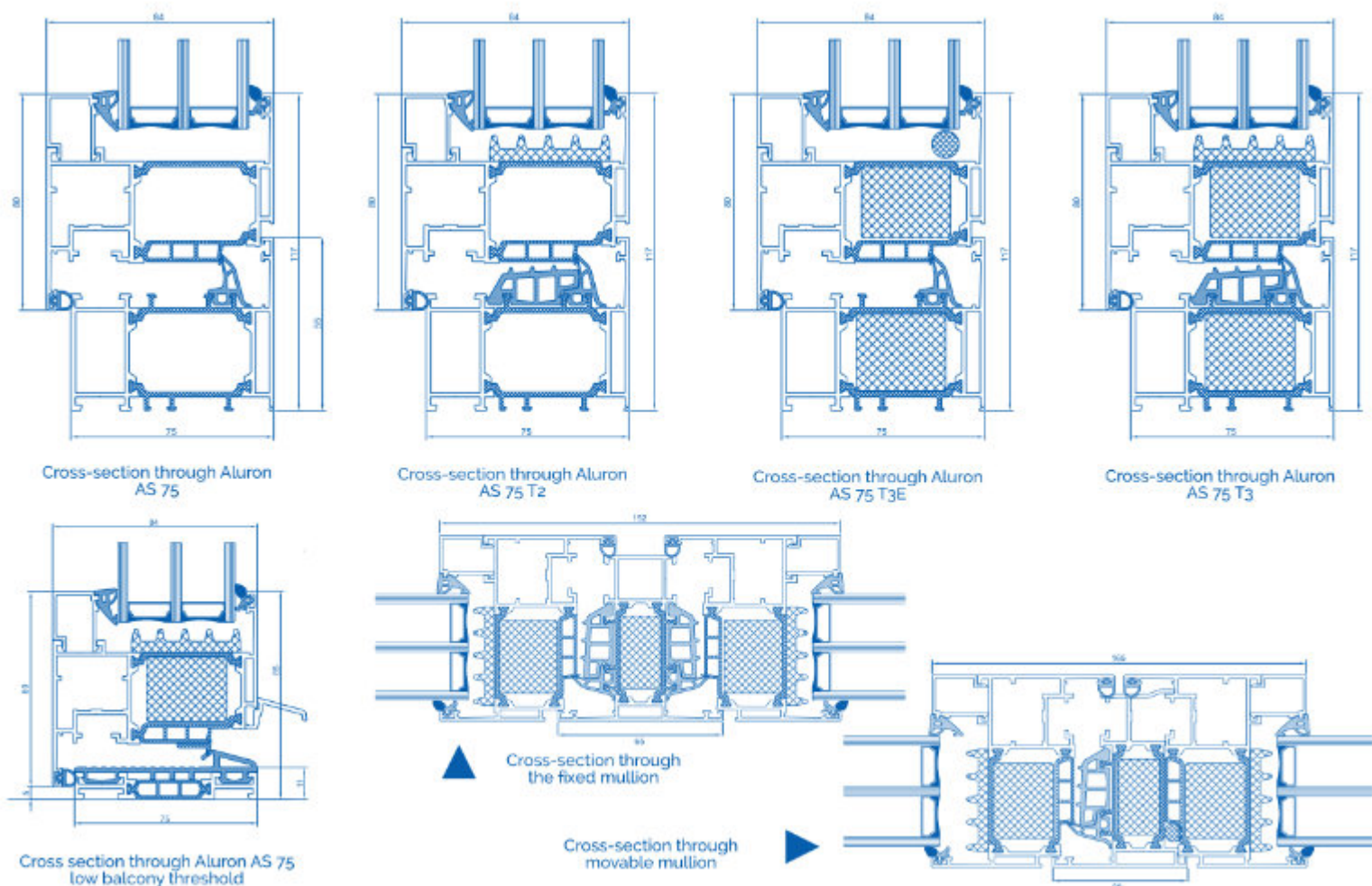
Thanks to the use of a special construction and new generation thermal insulators in the Aluron AS 75 system, it is possible to achieve good thermal performance. In the case of windows using this system, the **U_w thermal insulation value is from 0.67 W/m²K**. For doors, on the other hand, the coefficient can be as low as **0.93 W/m²K**.

FUNCTIONALITY

The Aluron AS 75 system guarantees a high level of functionality. The balcony/terrace doors made in this system feature a low barrier-free threshold which facilitates movement between the interior of the building and the terrace. The system is also suitable for use in intelligent buildings (Smart Home solutions).



CROSS-SECTION THROUGH THE SYSTEM



Door system: AS 75 P

QUALITY FOR YEARS

Doors made in AS 75 P are the perfect choice for customers who want their product to be efficient and retain its parameters for many years. Thanks to solid workmanship combined with the durability of aluminium, we obtain not only an aesthetically pleasing product, but also long-term durability. As a standard, door profiles are equipped with ANTI-BI-METAL technology preventing deformation of profiles. Doors manufactured by ProfilNET are available with batch panels flush on one side as well as flush on both sides. The GU brand three-point locks we use as standard provide security which is backed up by the tests of recognised institutes.

UNOBVIOUS SOLUTIONS

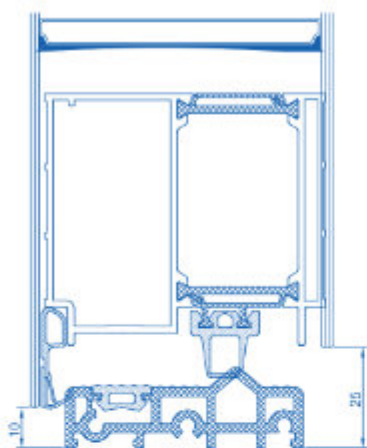
With the AS 75 P system, it is possible to use enamelled glass on the outside. This allows us to achieve the effect of a single solid sheet of glass, thereby making our doors stand out from other products in terms of unusual design.

ENERGY SAVING

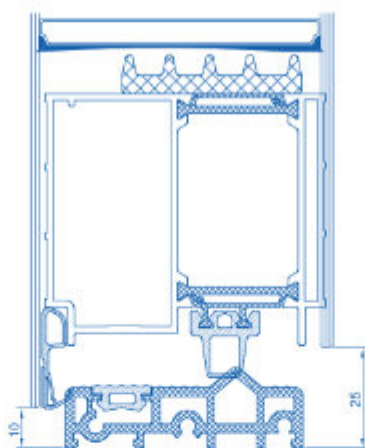
Aluron AS 75 P panel doors have a 3-chamber construction, the profiles have been designed with anti-bimetallic spacers and the new generation thermal insulators. An additional element is the central seal which not only provides excellent thermal insulation but also has a soundproofing function. The thermal insulation coefficient that we can achieve for the door is as high as 0.82 W/m²K



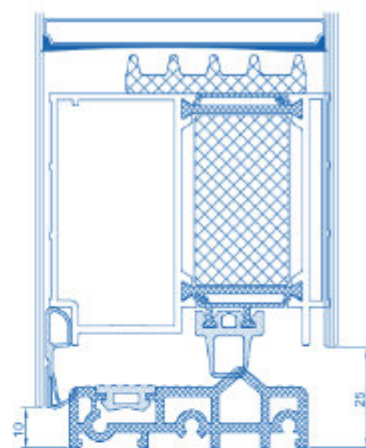
CROSS-SECTION THROUGH THE SYSTEM



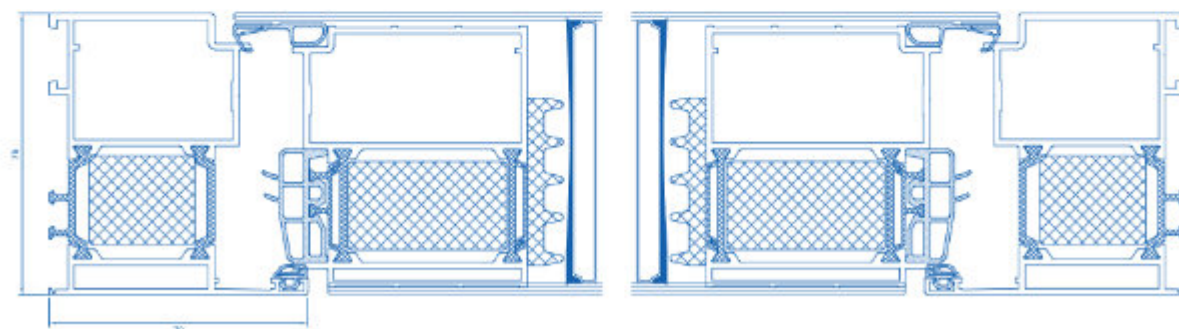
Cross-section through Aluron
AS 75 T2



Cross-section through Aluron
AS 75 G2



Cross-section through Aluron
AS 75 G3



Vertical section through the AS 75P door

HST doors: AS 178 HS

EASY TO USE, DESIGN, HIGH THERMAL PERFORMANCE

Lift and slide doors in the Aluron **AS 178 HS PRO SLIM** system are ideal for buildings with large glazed areas such as restaurants or conservatories. In these buildings, ease of movement between the interior of the building and the terrace, ease of operation, design and aesthetics play an important role. An relevant advantage of the offered solution is the fact that **AS 178 HS PRO SLIM** doors do not take up any space in the interior and fit well in any arrangement. The innovative design allows for the highest thermal insulation parameters (**from 0.7 W/m²K**).

CONSTRUCTIONAL POSSIBILITIES

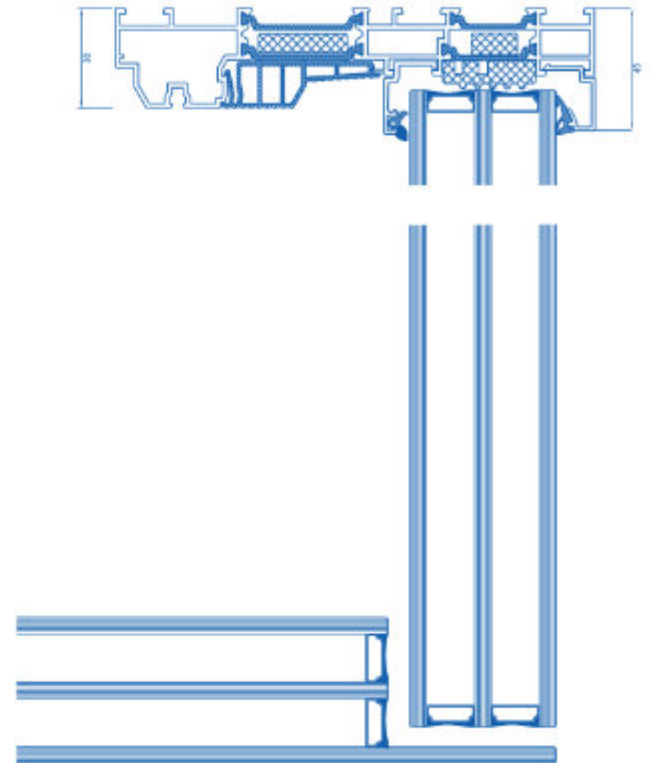
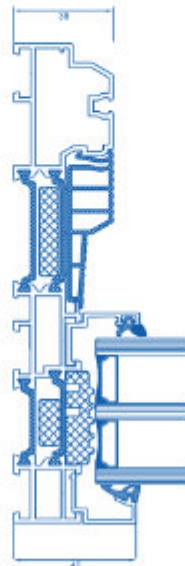
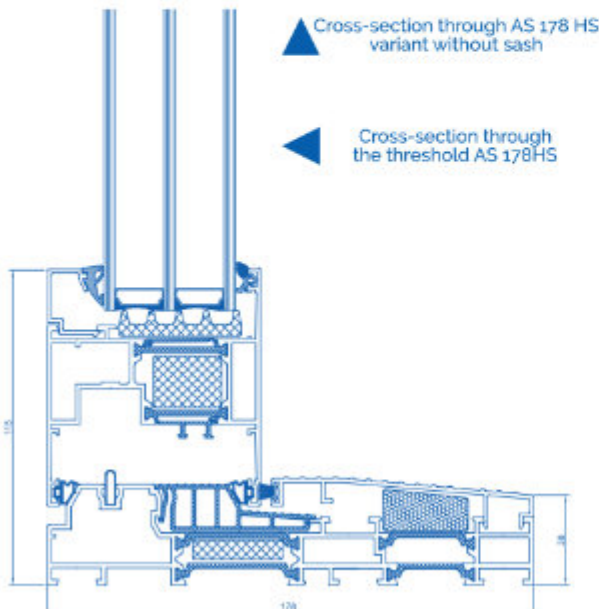
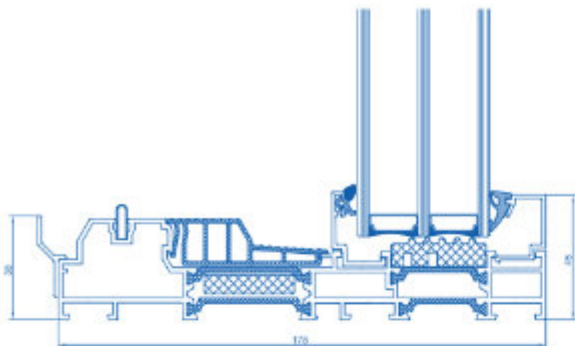
The **AS 178 HS PRO SLIM** system allows for complete incorporation of the door frame into the thermal insulation layer, emphasising the decorative qualities of the facade and giving the building an individual and unique character. It is possible to produce the structure in all available construction schemes (two- and three-track solution, solution with the solution of using fixed glazing in passive sashes (etc).

INNOVATIVE SOLUTIONS

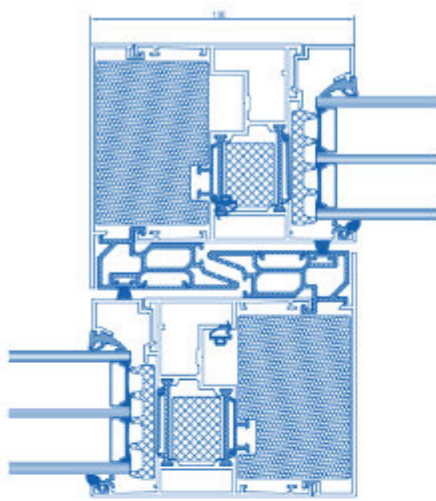
The **AS 178 HS PRO SLIM** system used a number of innovative technical solutions, such as a system solution for all-glass cladding on the sashes, the possibility of achieving threshold-free installation, the connection of aluminium frames by crimping or the possibility of glazing from the inside and outside. Thanks to the use of a systemic frame connector, it is possible to increase the width without losing the aesthetics of the connection, and it is also worth noting that the height of these lift and slide doors can be up to 3,300 mm.



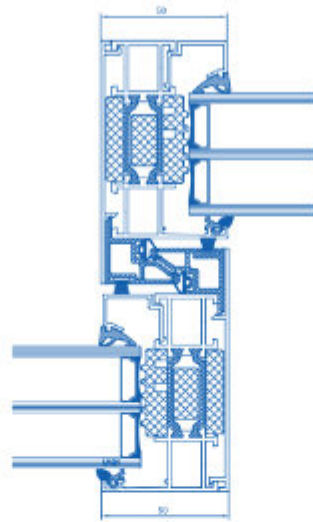
HST AS 178 HS SYSTEM CROSS-SECTIONS



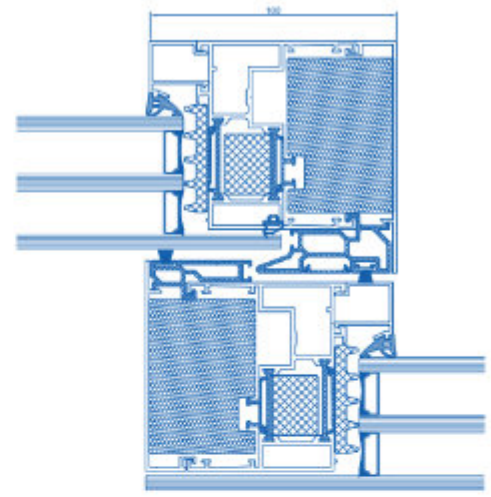
All-glass corner solution



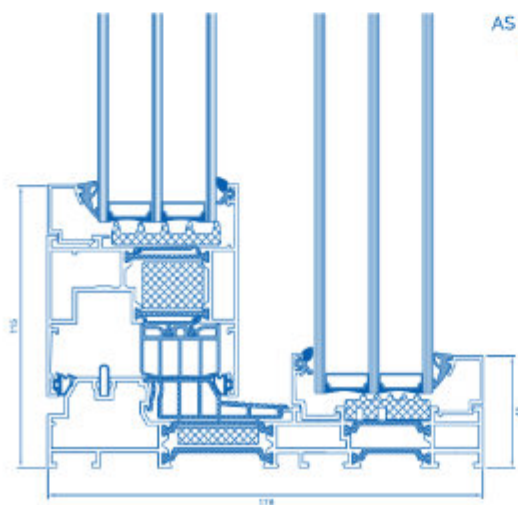
Mullion cross-section



Narrow mullion cross-section

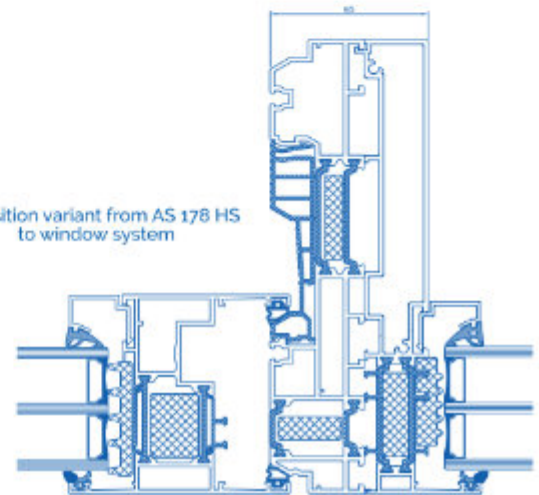


Sash variant with stepped glass



AS 178 HS with glazing on the outside

Transition variant from AS 178 HS to window system

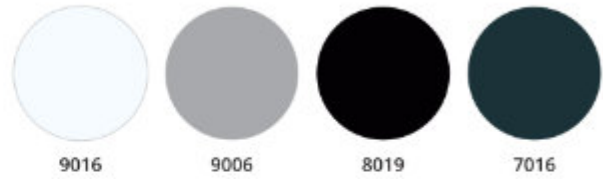


EXAMPLE COLOUR PALETTE

Example anodes



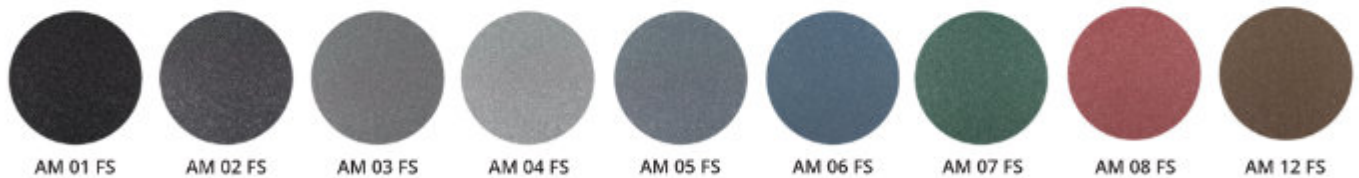
Standard RAL colours



Example RAL colours



Example lacquers METALLIC FS



Aluron Decor MAT



PROFILNET
QUALITÄT OHNE KOMPROMISSE

SALES PARTNER